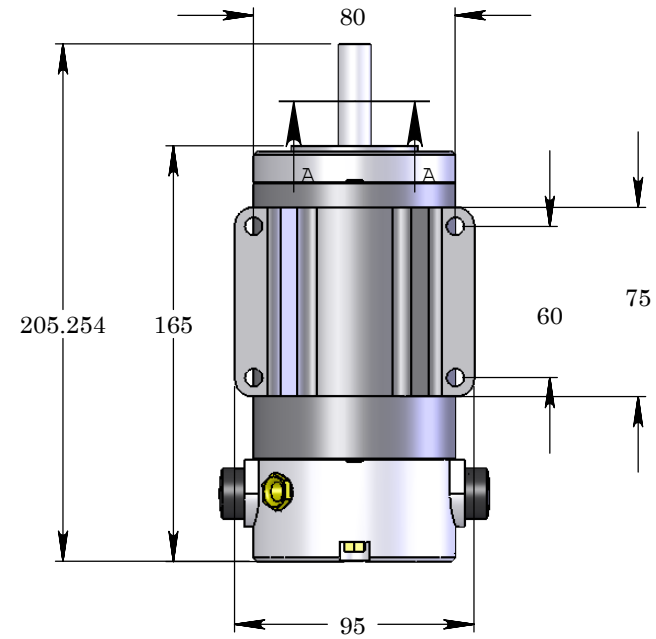


SECTION A-A
SCALE 1 : 1



Projection/units
First/mm

Description: S3 DC Motor with Foot Mount
1/2" Shaft with Flat
80mm Std. Flange

Part number:
M3-0000xxxxF

ELECTRIC MOTOR POWER P/L