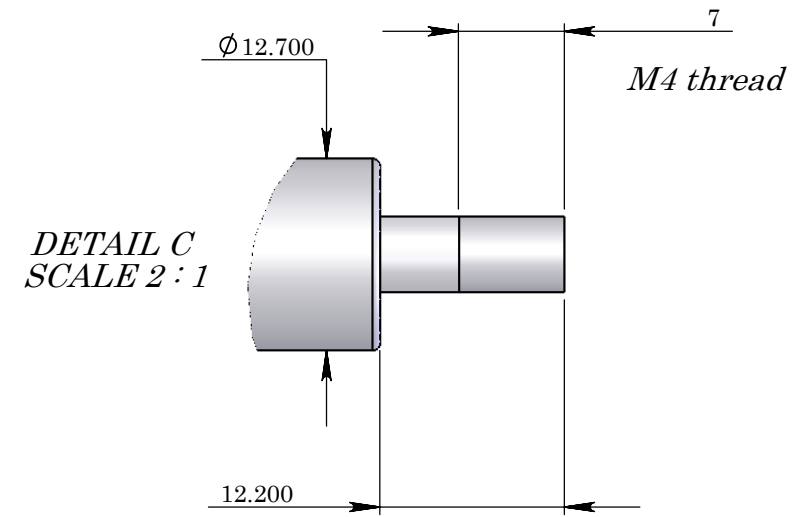
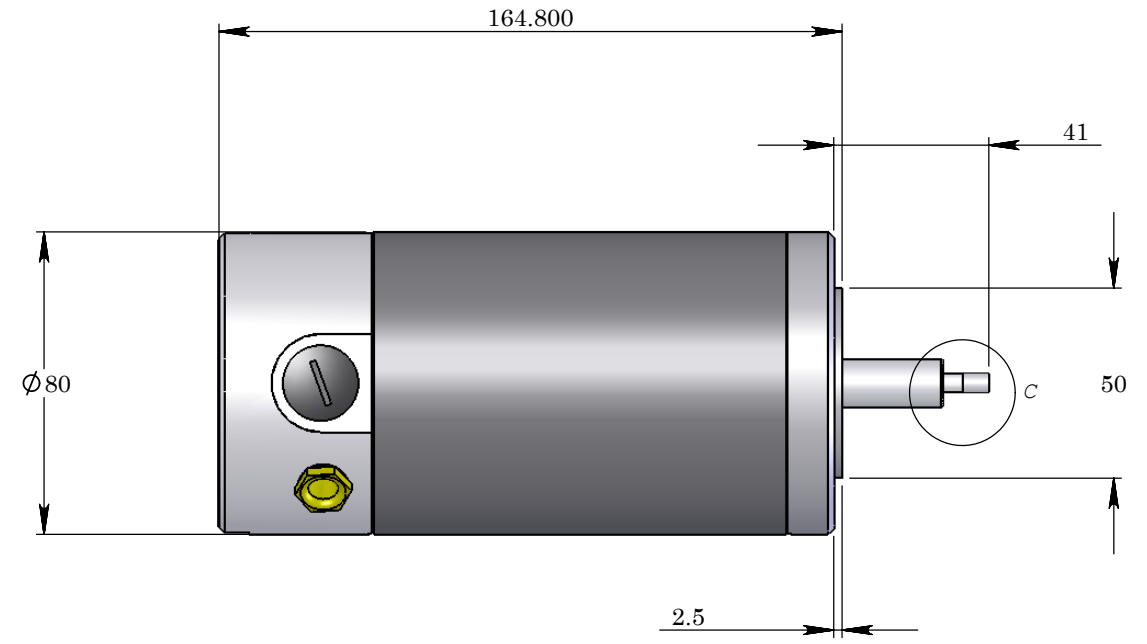


DETAIL B
SCALE 2 : 1



DETAIL C
SCALE 2 : 1

Projection/Units First/mm	Description: S3 DC Motor for driving fan blade Shaft with M5 Thread 80mm Std. Flange (3xM6)	Part number: M3-0103xxx	ELECTRIC MOTOR POWER P/L
-------------------------------------	--	-----------------------------------	---------------------------------